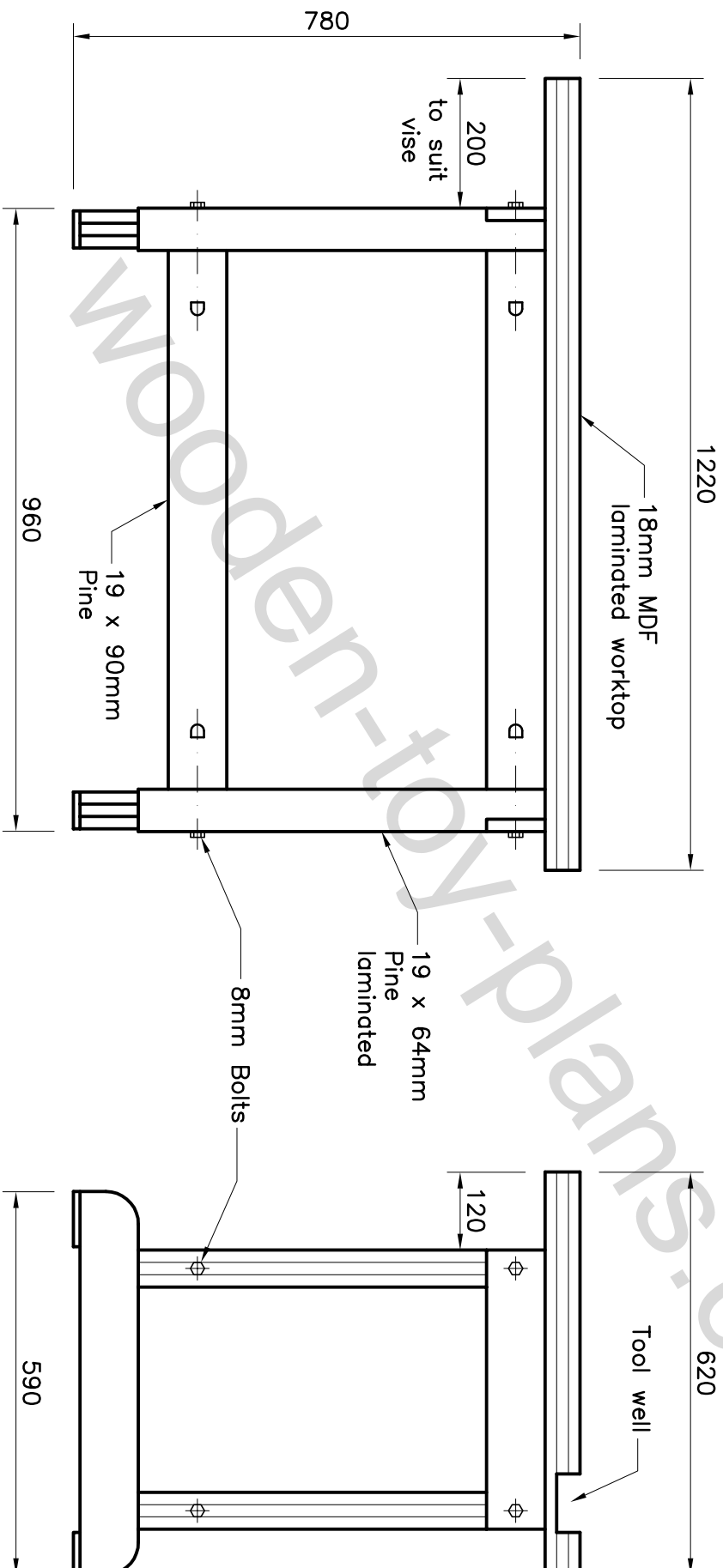


Notes

Visit wooden-toy-plans.com for step by step instructions.



Workbench
Front View

Workbench
End View

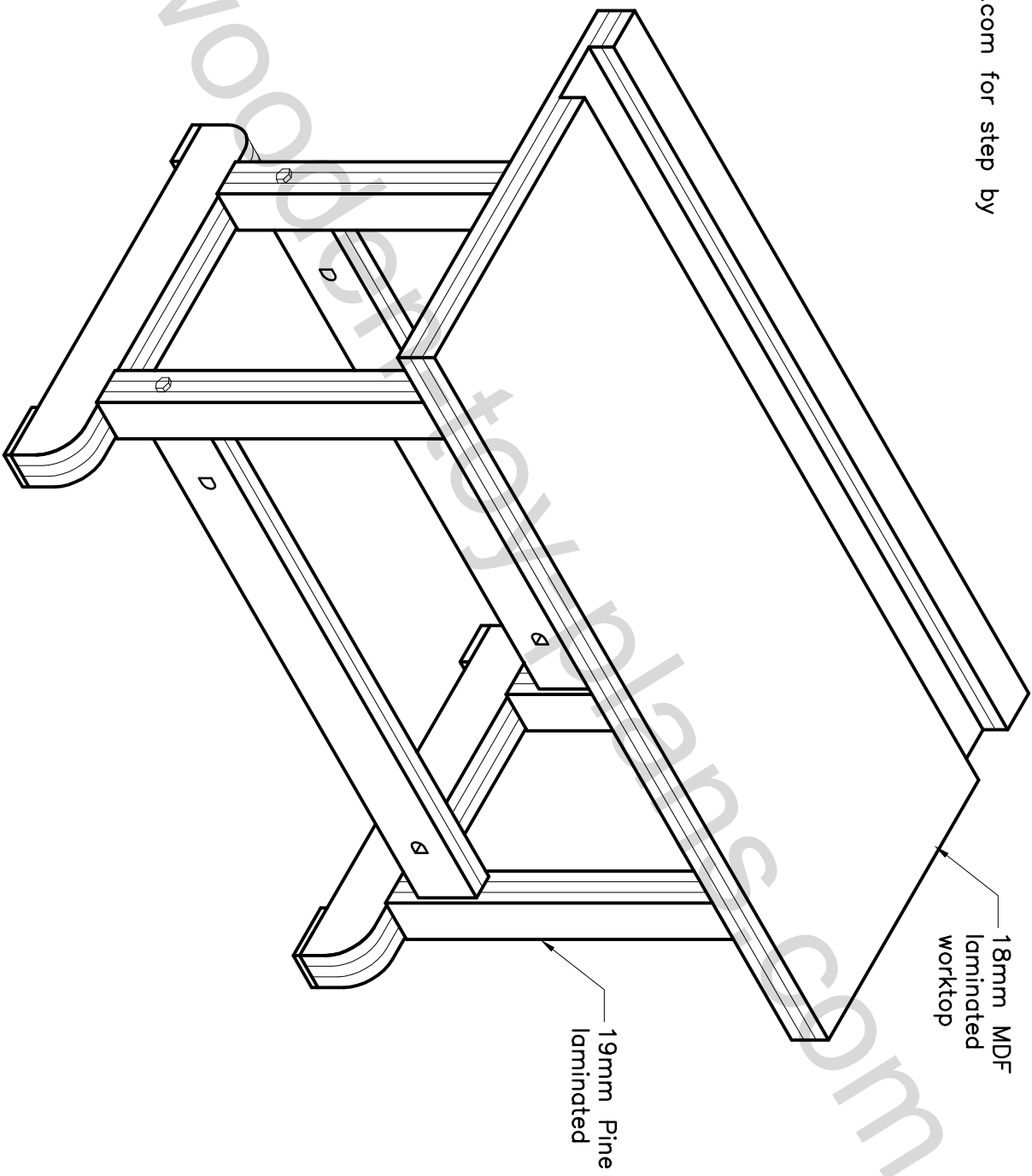
Workbench

This work is licensed under the Creative Commons Attribution-Noncommercial 2.5 Australia License. To view a copy of this license, visit <http://creativecommons.org/licenses/by-nc/2.5/au/> or send a letter to Creative Commons, 171 Second Street, Suite 300, San Francisco, California, 94105, USA.

Sheet
1 of 4

Notes

Visit wooden-toy-plans.com for step by step instructions.



Isometric View

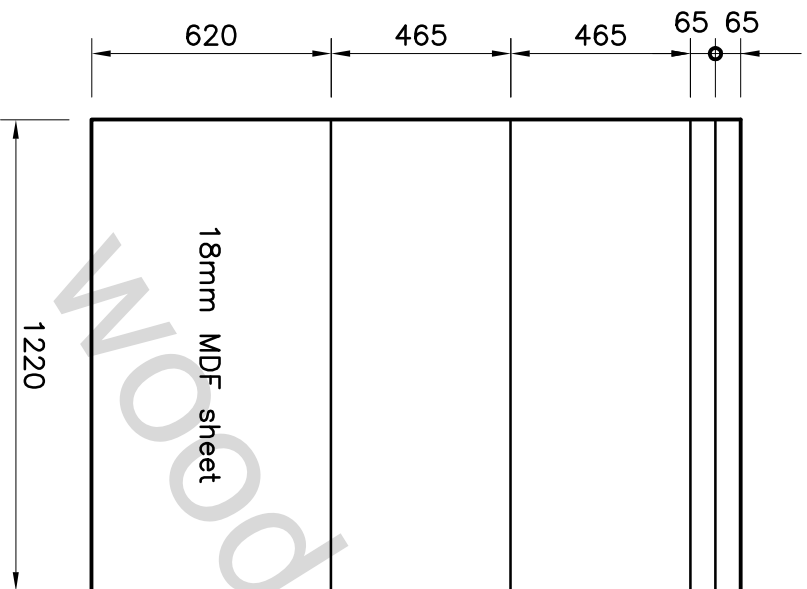
Workbench MkII

Sheet
2 of 4

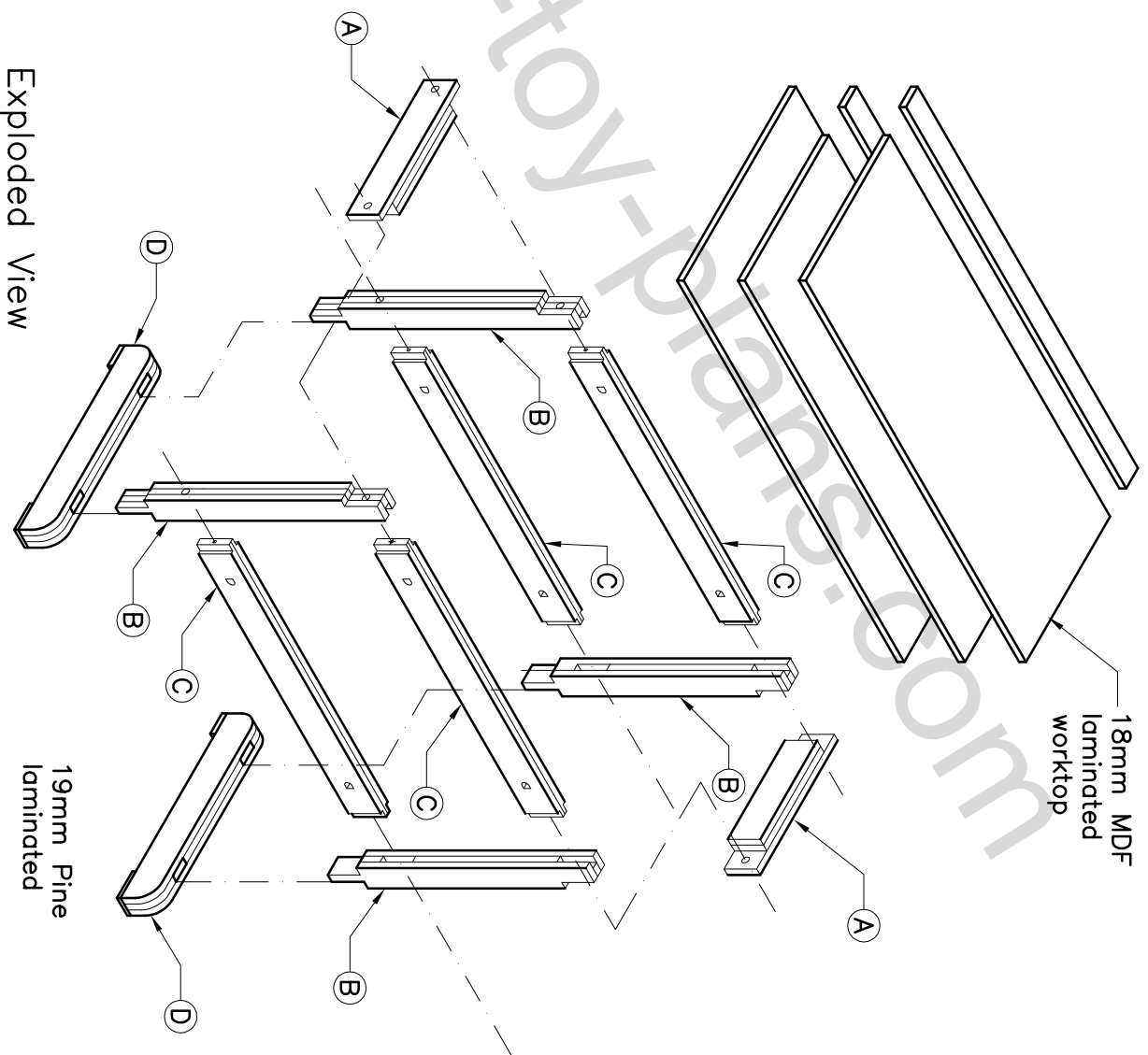
This work is licensed under the Creative Commons Attribution-Noncommercial 2.5 Australia License. To view a copy of this license, visit <http://creativecommons.org/licenses/by-nc/2.5/au/> or send a letter to Creative Commons, 171 Second Street, Suite 300, San Francisco, California, 94105, USA.

Notes

Visit wooden-toy-plans.com for step by step instructions.



Work top
Cutting diagram

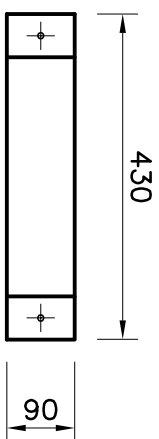
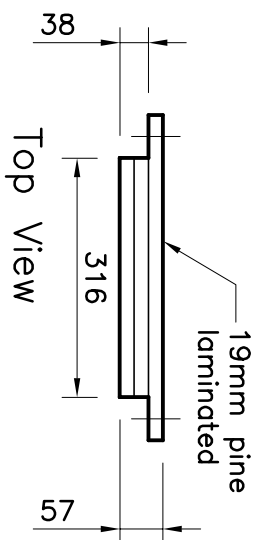


Exploded View

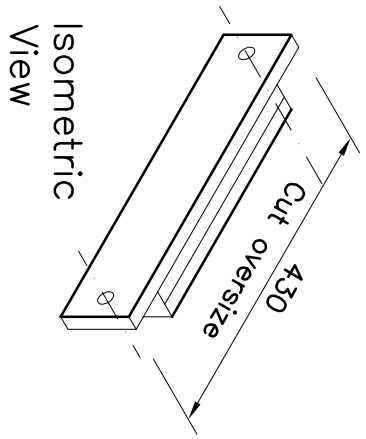
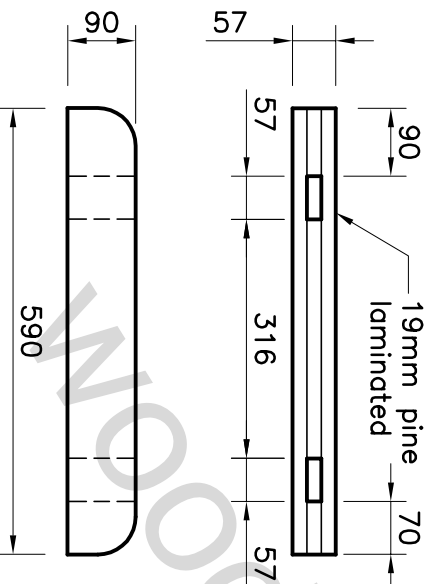
Exploded View

Workbench MkII

Sheet
3 of 4



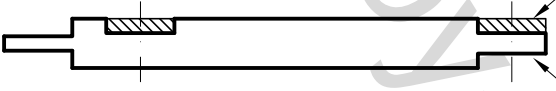
Front View
Part A



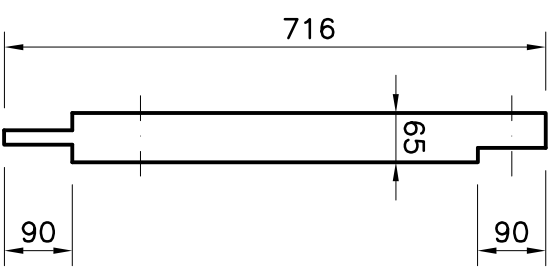
Isometric View

Hatched areas show cutouts to form mortise.

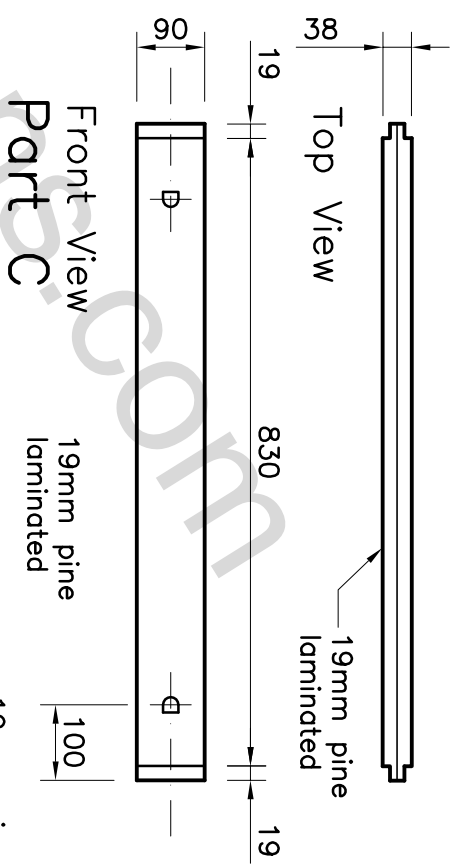
Notches for half lap joint.



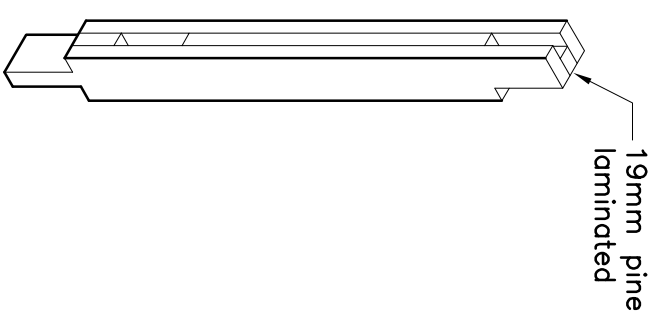
Part B1
Make 4



Part B2
Make 8



Front View
Part C



Isometric View

Notes

Front View
Part A
Visit wooden-toy-plans.com for step by step instructions.

Part B1
Make 4
Part B

This work is licensed under the Creative Commons Attribution-NonCommercial 2.5 Australia License. To view a copy of this license, visit <http://creativecommons.org/licenses/by-nc/2.5/au/> or send a letter to Creative Commons, 171 Second Street, Suite 300, San Francisco, California, 94105, USA.

Component Parts

Workbench

Sheet 4 of 4