



Thank You.

You have successfully downloaded your free plan from wooden-toy-plans.com

[Go to Page 1](#)

More Saw Horse Plans



[Back to Basics Sawhorses Downloadable Woodworking Plan PDF](#)

These great shop assistants come in the four-legged variety, and there is never a problem with upkeep. Our sturdy sawhorses are only 2 feet tall, but you can build a pair any size you want and get the help you need.

Price: \$2.95



[Fold Flat Sawhorses Downloadable Woodworking Plan PDF](#)

The sawhorse is dependable, strong, and usually takes up a lot of space. But these sawhorses fold flat when not in use, while still maintaining the qualities you appreciate in conventional sawhorse. We will walk you through building one sawhorse, but as long as you have your tools set up, you may want to build two or more.

Price: \$2.95



[31-DP-00851 - Knockdown Sawhorse Mini Bench Downloadable Woodworking Plan PDF](#)

Short on space but long on the need for affordable and versatile workshop surfaces? This quick-and-easy project design serves two purposes: Build a pair for use as sawhorses, or add the cleated center panel to create a mini workbench.

Price: \$2.95



[Knockdown Sawhorses Downloadable Woodworking Plan PDF](#)

If you build these sturdy horses you simply break them down and hang them flat against the wall. With no hardware to fuss with, you can assemble and disassemble the pieces in just a few seconds. Plus, because they are made completely of wood, you will never have to worry about catching a saw blade on a metal bracket or fastener.

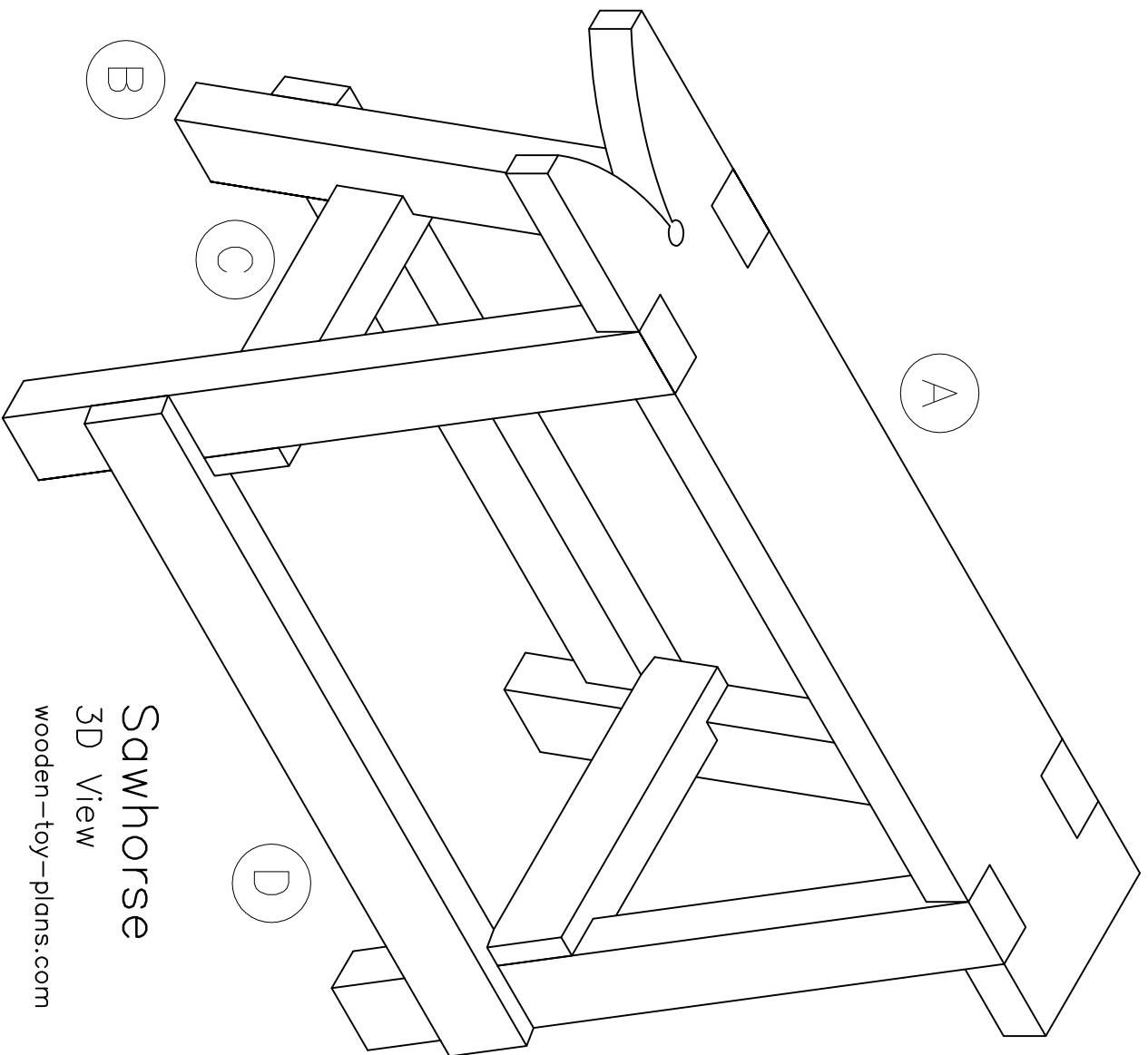
Price: \$2.95



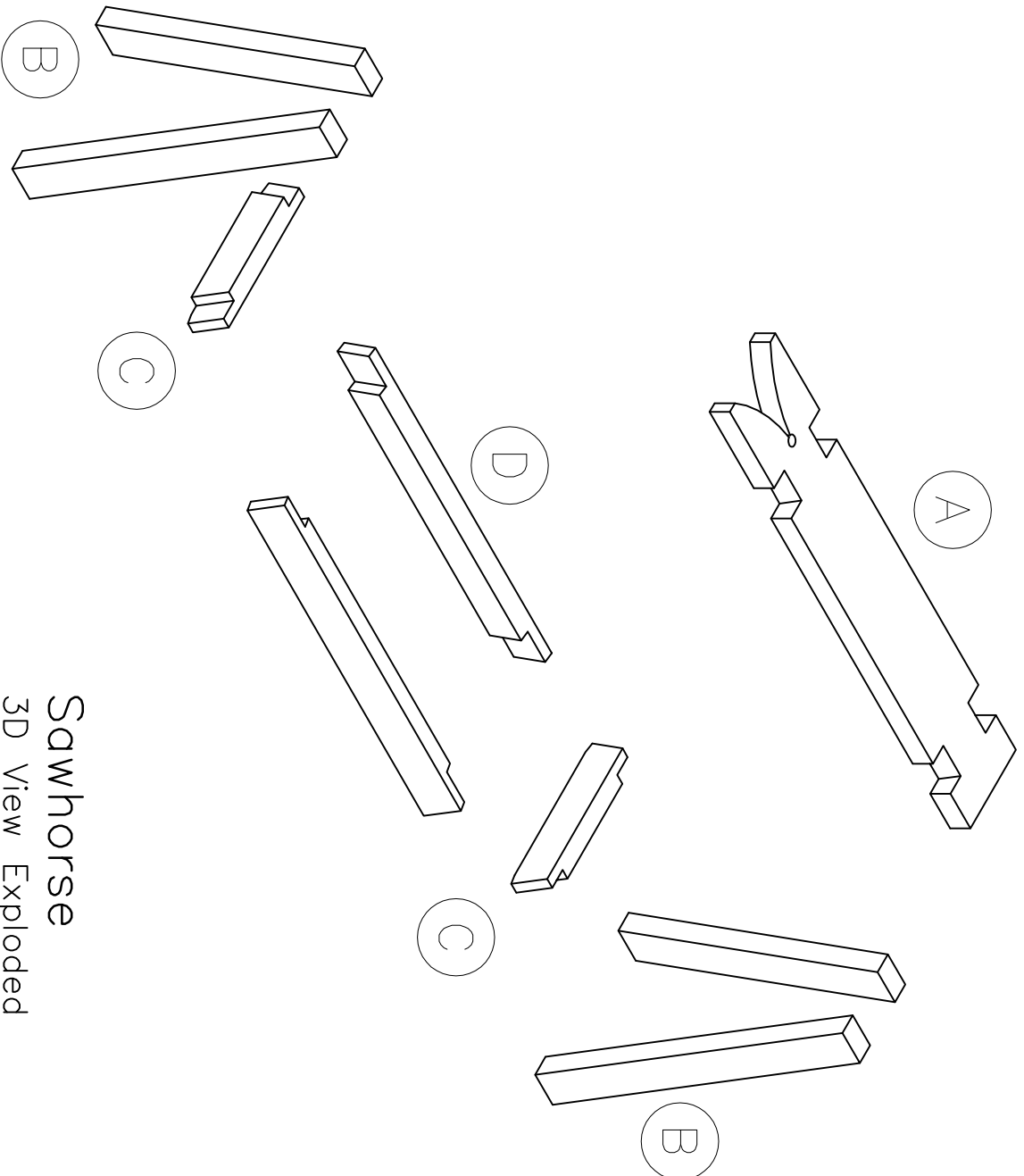
[Sawhorses Downloadable PDF Woodworking Plan](#)

Stronger than a workbench! These sawhorses provide a monster work stand that can support hundreds of pounds. Adobe™ Flash™ slide shows take you through each step of the project - with helpful building tips along the way.

Price: \$4.95



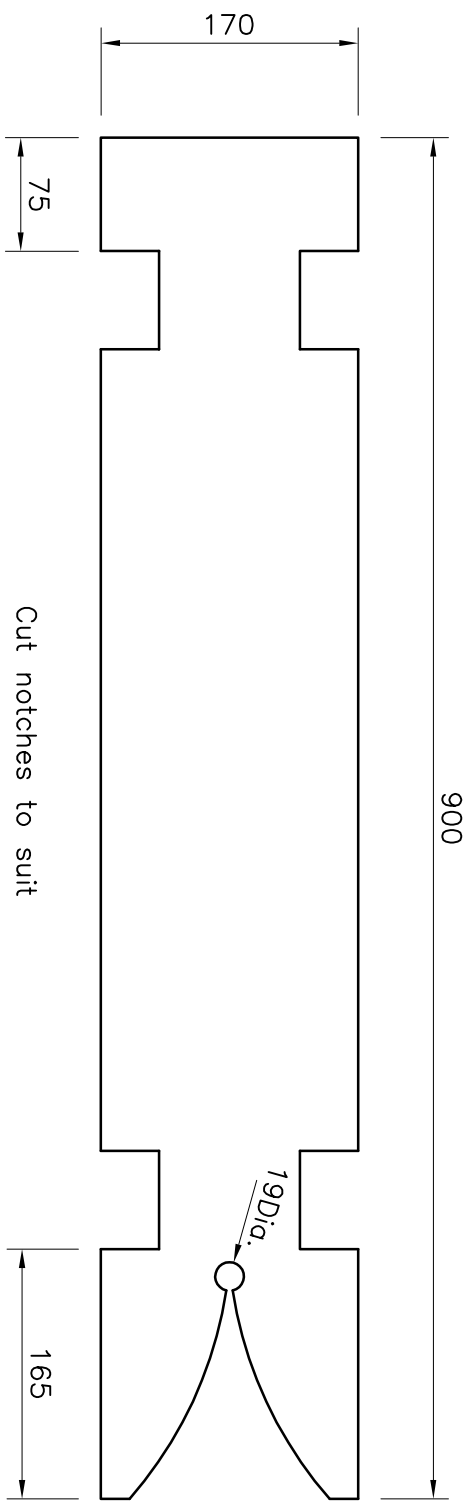
Sawhorse
3D View
wooden-toy-plans.com



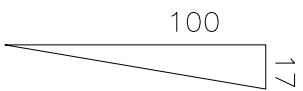
Sawhorse
3D View Exploded
wooden-toy-plans.com

Notes

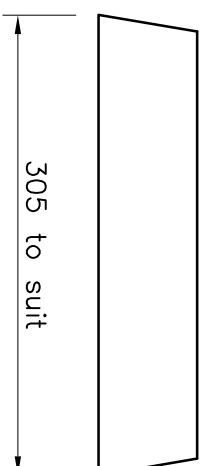
All timber 65 x 38
unless noted otherwise



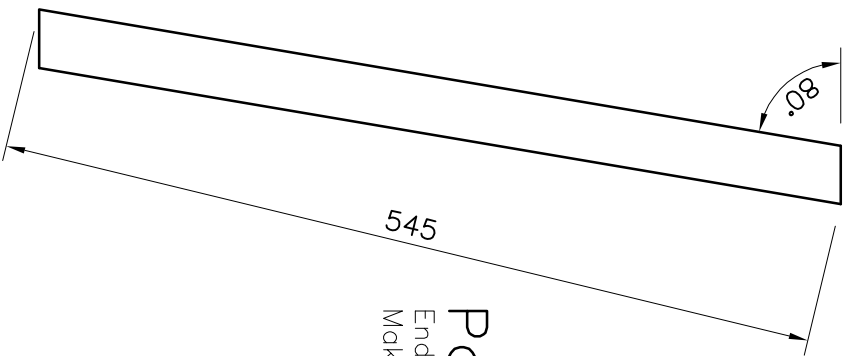
Part A
Plan View
Make 1



Part B
End View
Make 4



Part C
End View
Make 2



Part D
End View
Make 2

