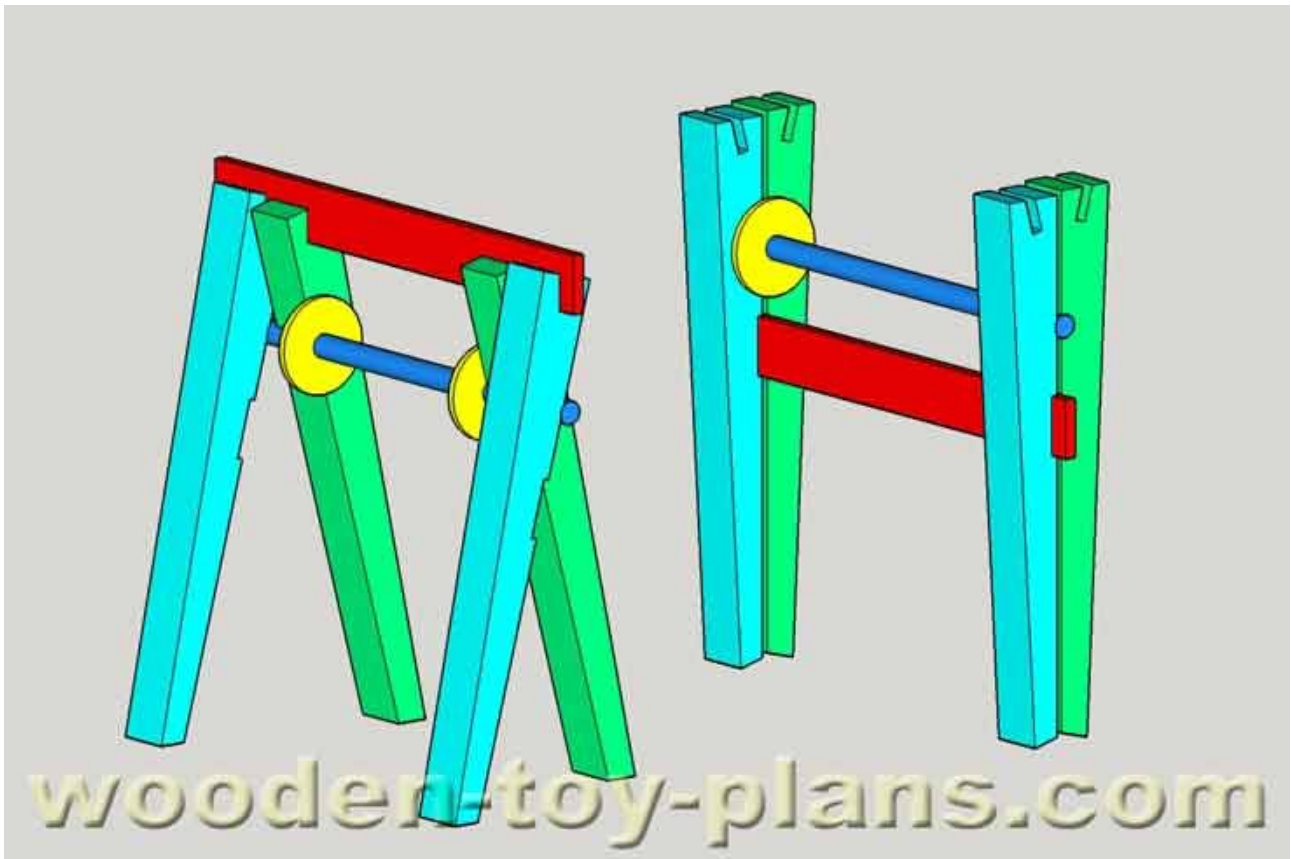




## Sawhorse trestle table support.



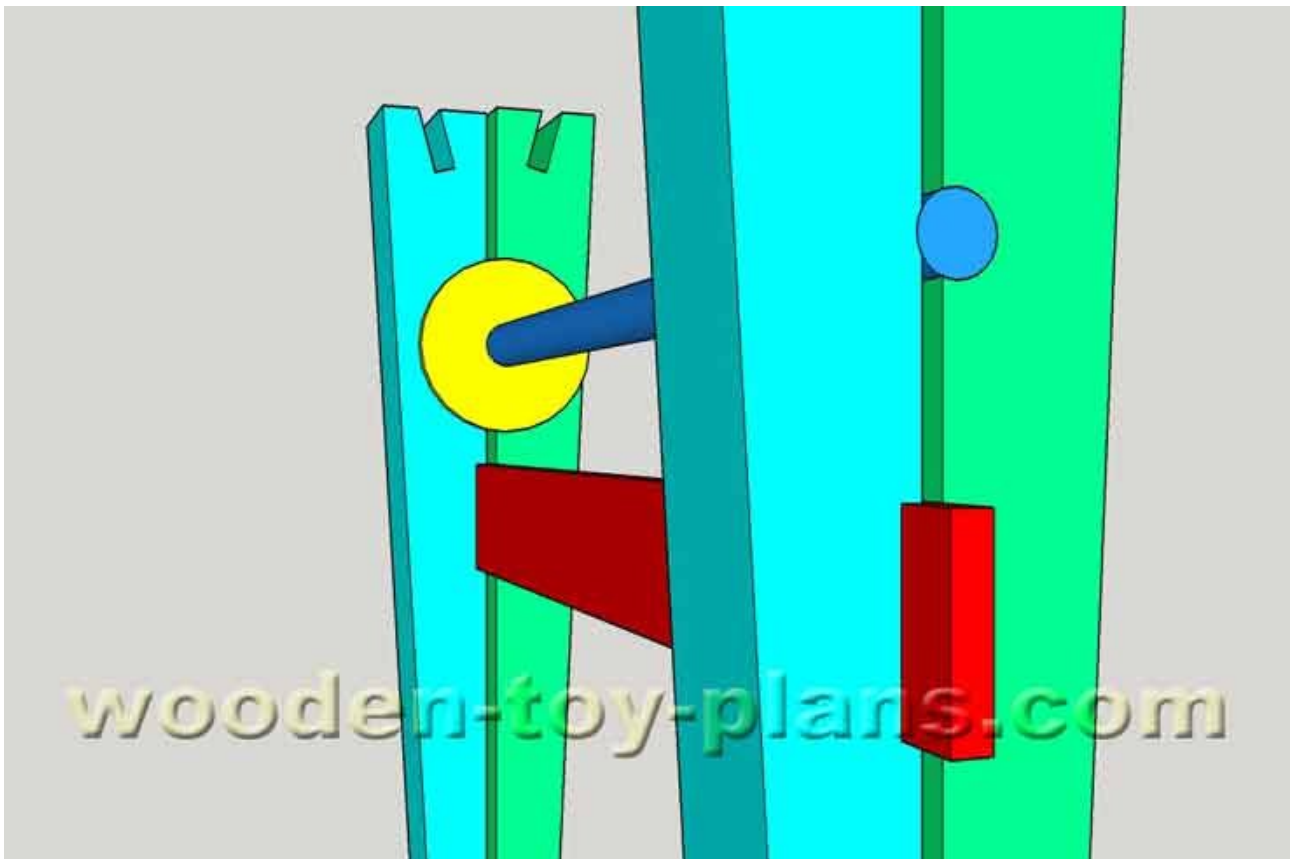
A model I made with Sketchup. On the left is the sawhorse as it would be used, and on the right it is ready for storage.

If you are familiar with Sketchup, you can download the model with this link:

<https://wooden-toy-plans.com/sawhorse-trestle>

Now I don't have detailed drawings because it is only a concept at this stage.

I shall try to explain how it works with sketches.



A close up view of the sliding hinge.

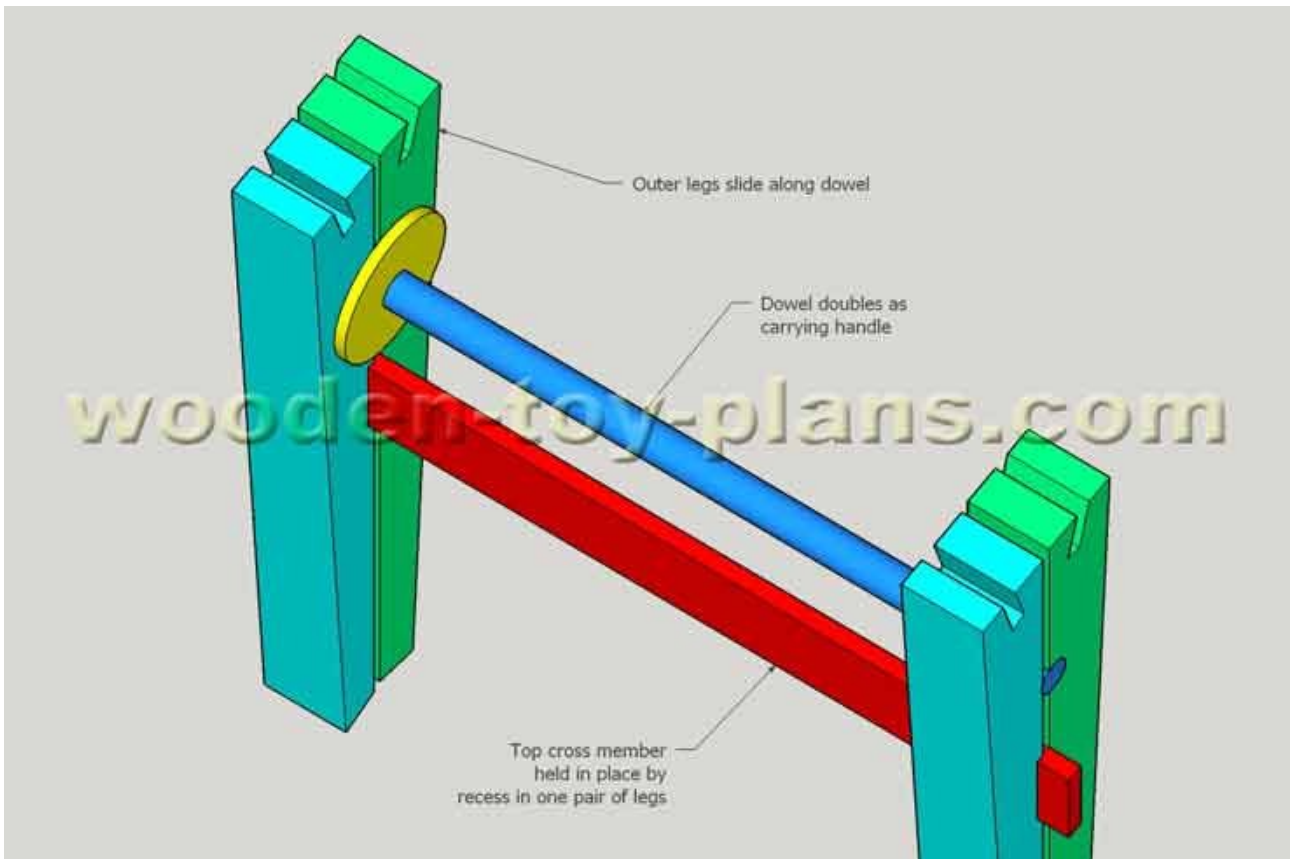
What make this sawhorse interesting is that the inner legs (shown green) slide along to hold the top rail in the recess provided in the outer legs.

The dowel hinge is shown blue in the sketch, and is fixed to the outer legs shown light blue.

The yellow disc, which I propose to make with 12mm plywood, is fixed to the inner legs shown green. This assembly is allowed to rotate and slide freely along the blue dowel.

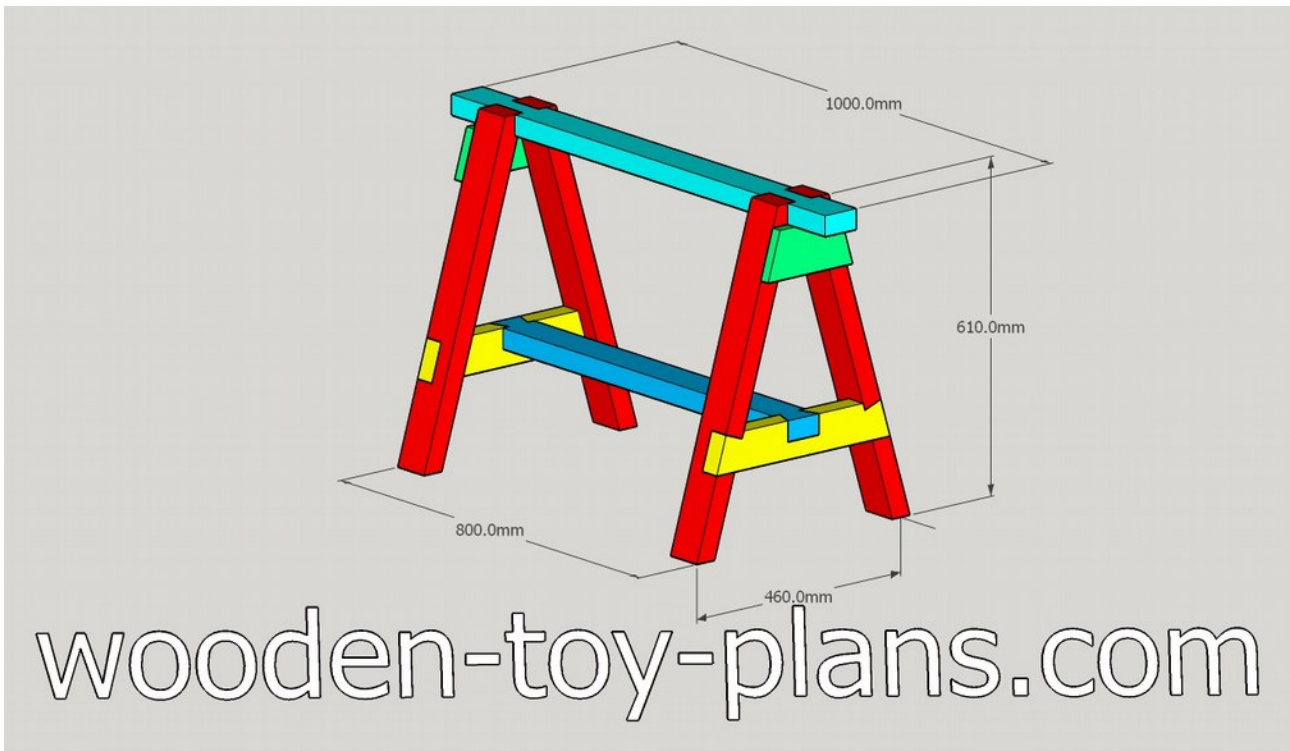
For storage, the red top rail is captured in a recess made in the light blue legs.

The dark blue dowel can be used as a carry handle.



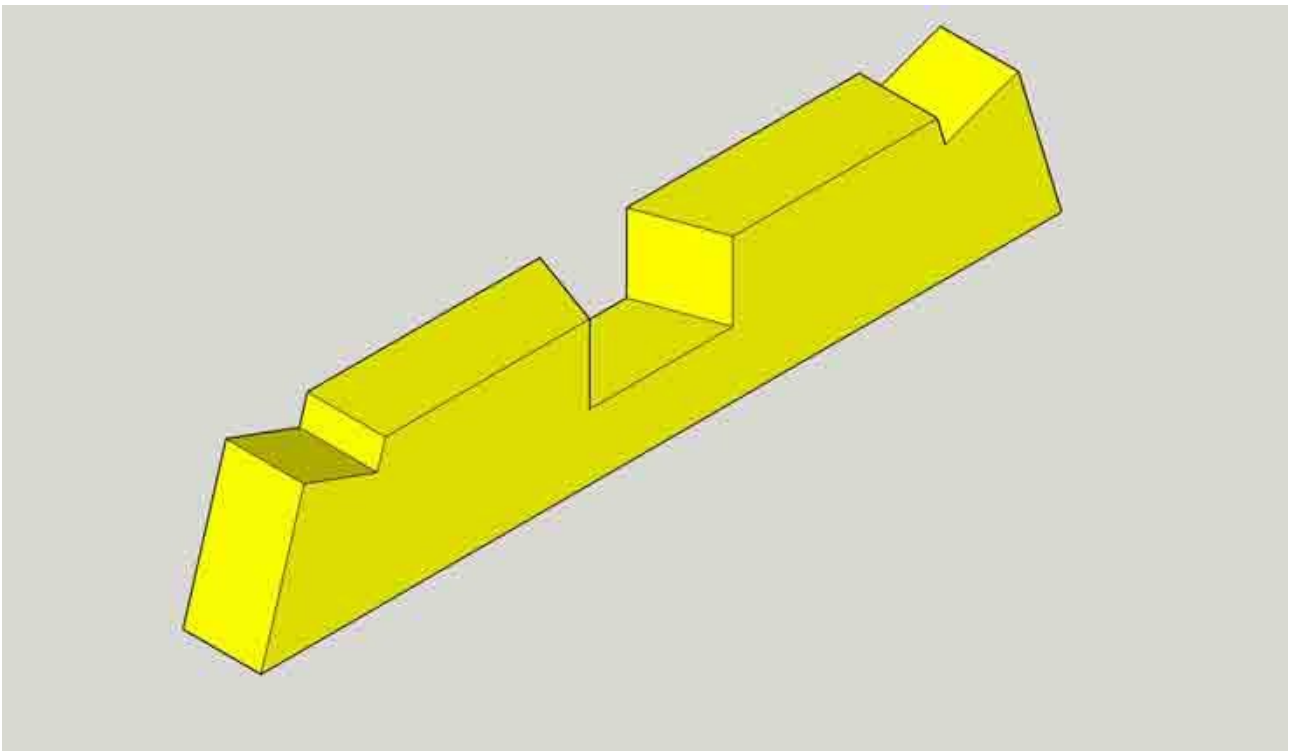
An overhead view in storage mode. The green outer legs slide along the blue dowel.

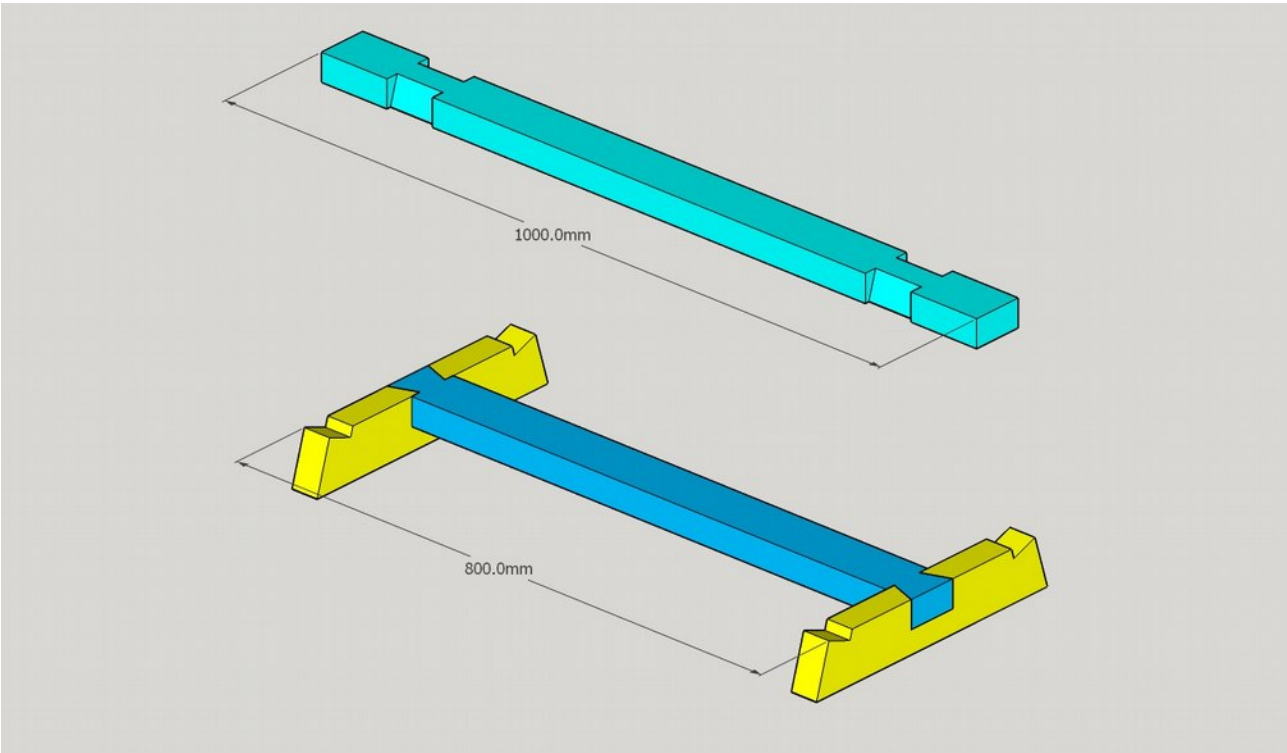
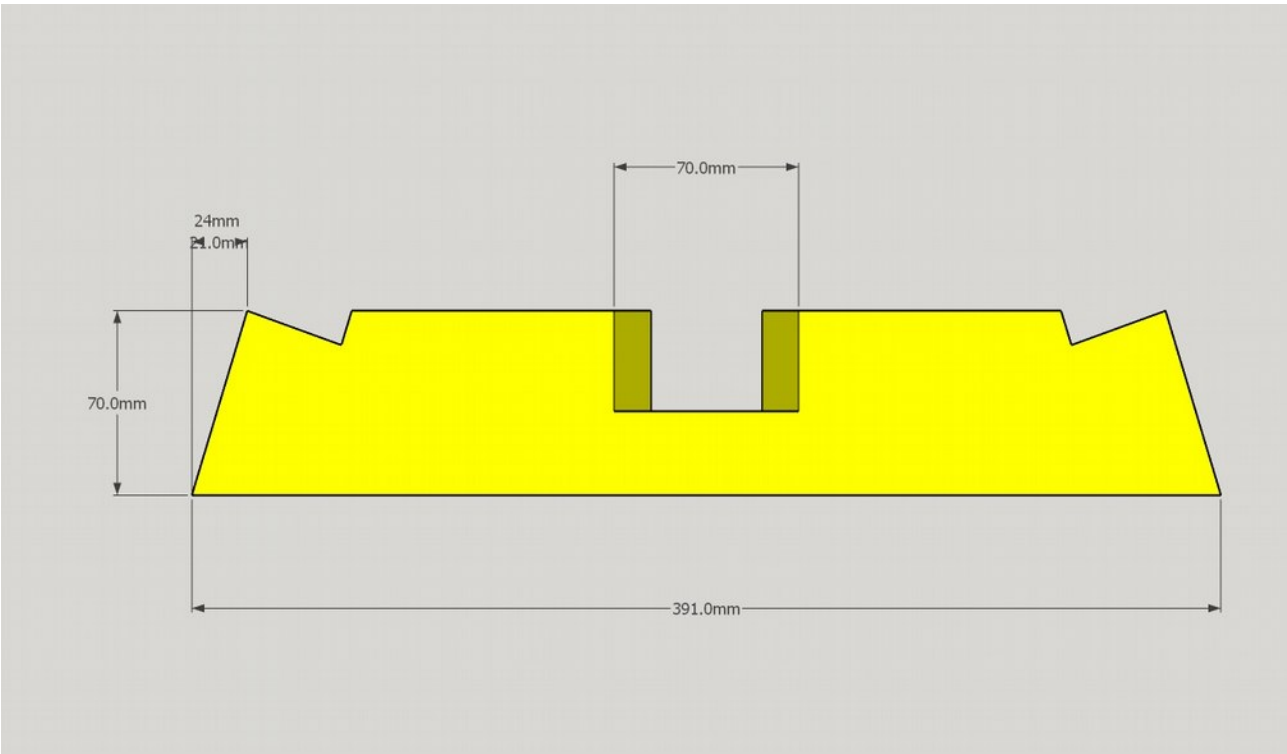
## Rock Solid Sawhorse



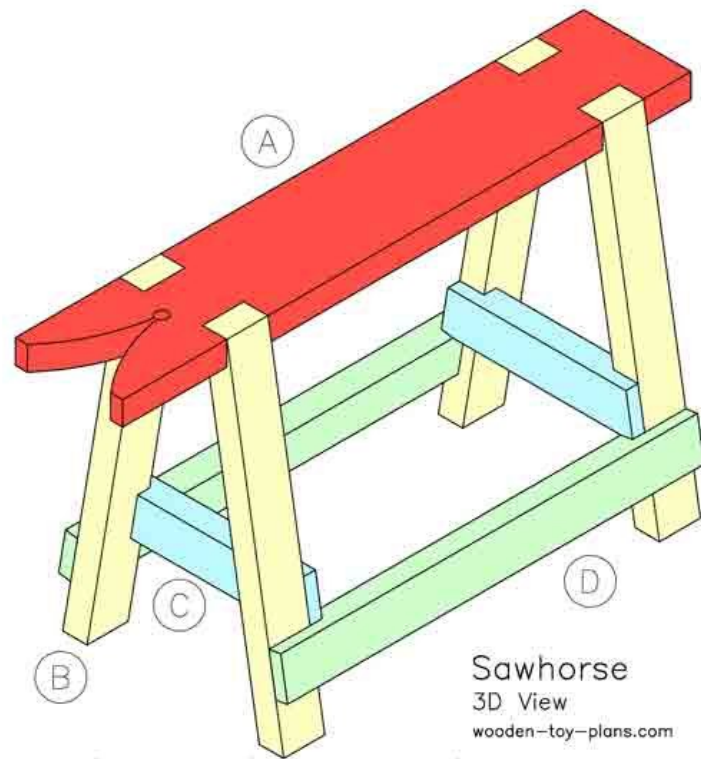
Another Sketchup sawhorse plan. The parts are colour coded for clarity.

[Link for the model.](#)



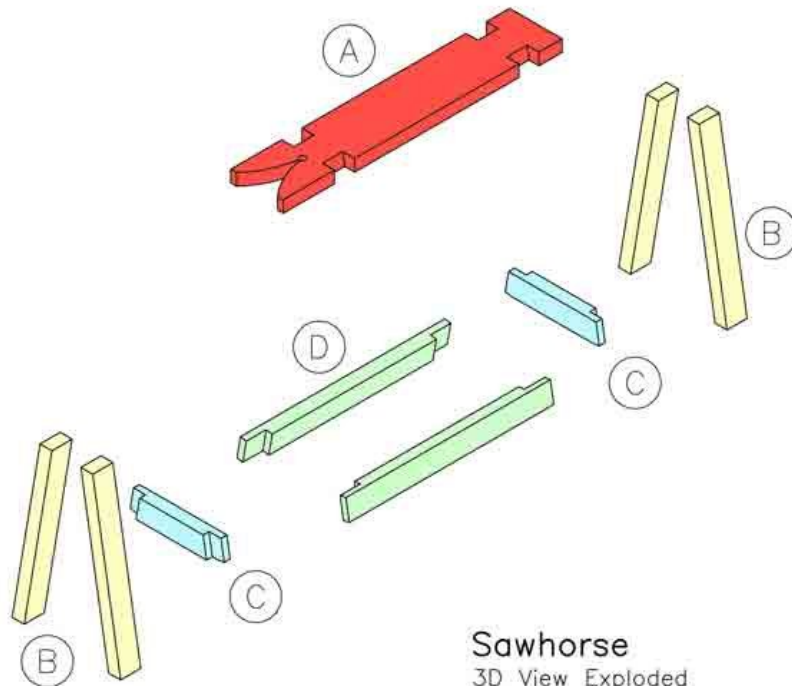


# Sawbench Plans



Sawhorse  
3D View  
wooden-toy-plans.com

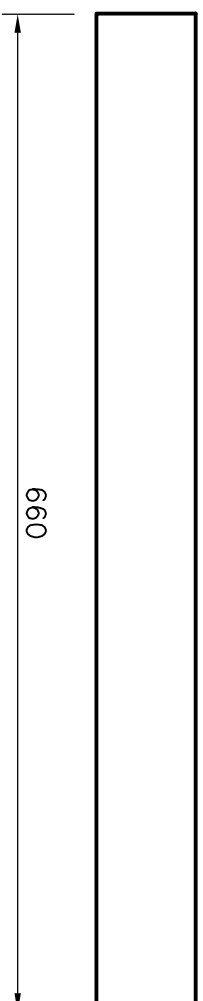
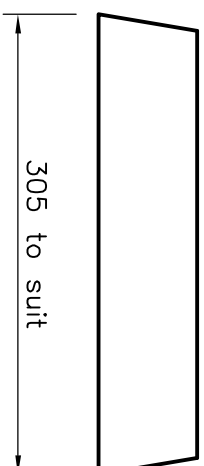
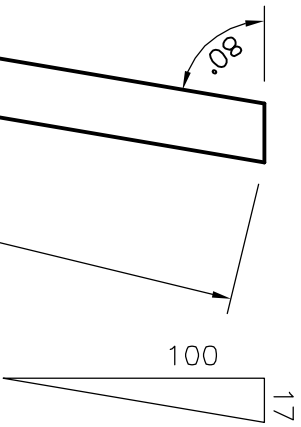
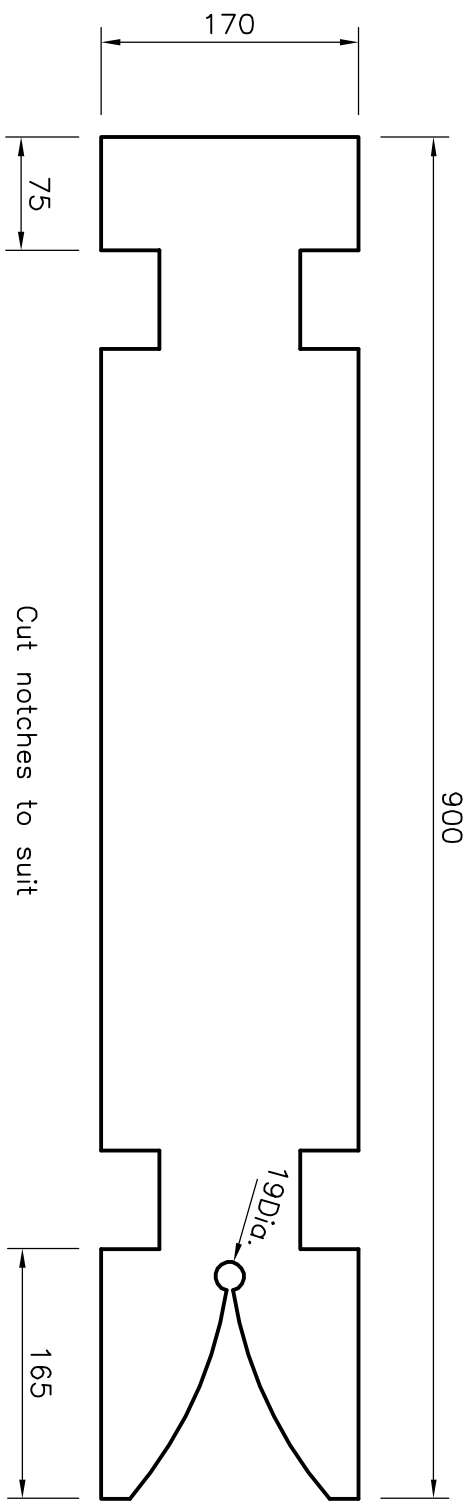
wooden-toy-plans.com



Sawhorse  
3D View Exploded  
wooden-toy-plans.com

# Notes

All timber 65 x 38  
unless noted otherwise



sawhorse (2).dwg

**Sawhorse**  
Parts

wooden-toy-plans.com