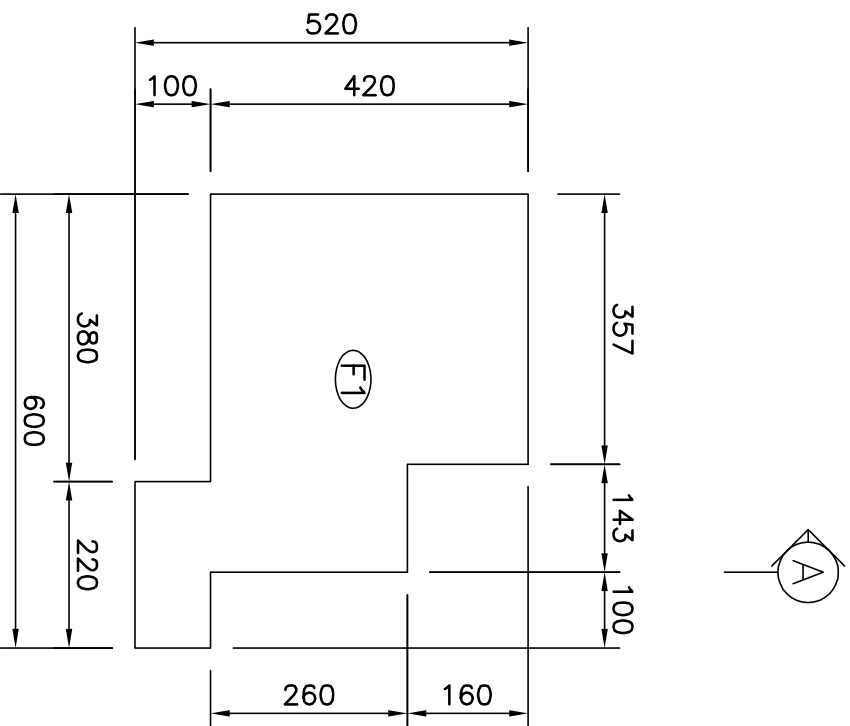


1:10

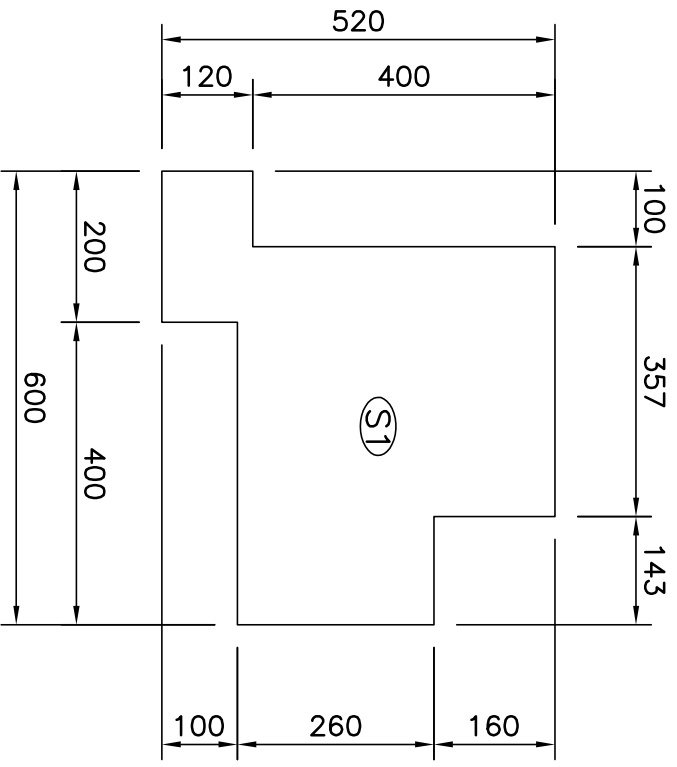
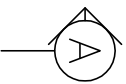
Ground Floor Layout

Dimensions in millimeters



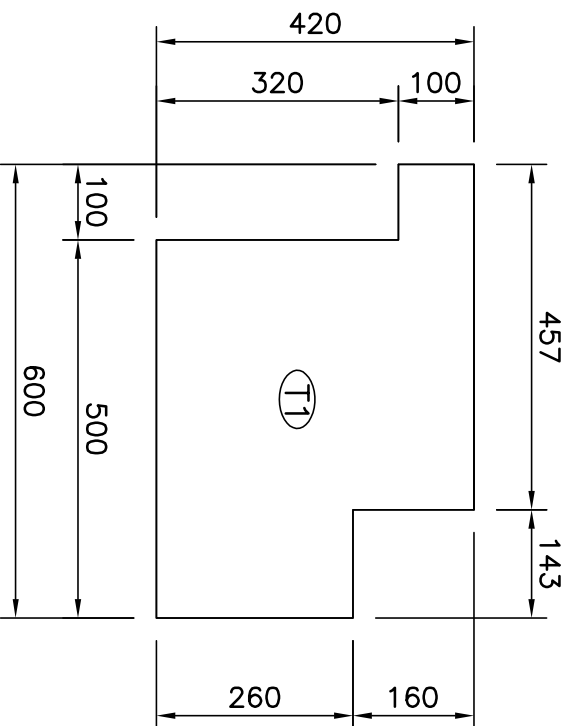
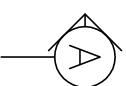
1:10

First Floor Template



Second Floor Template

1:10



Third Floor Template

1:10

Dimensions in
millimeters

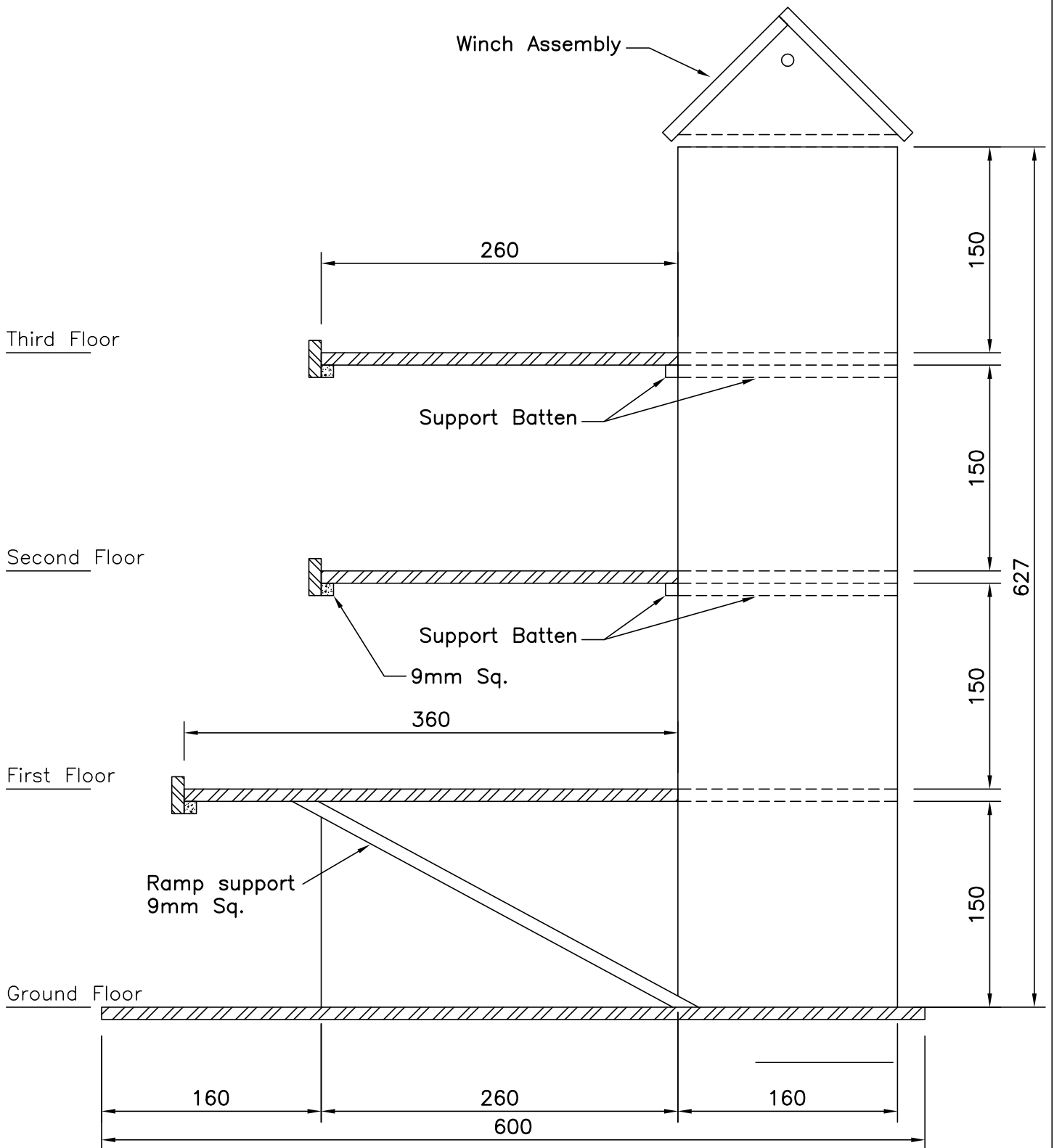
Plan View

Toy Car Garage

wooden-toy-plans.com

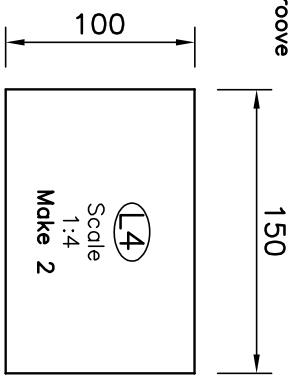
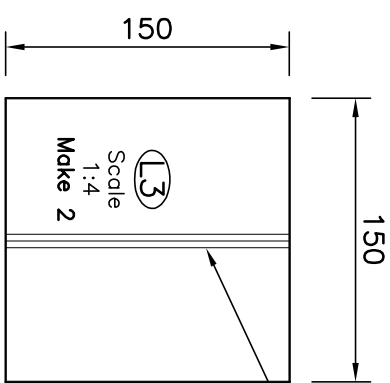
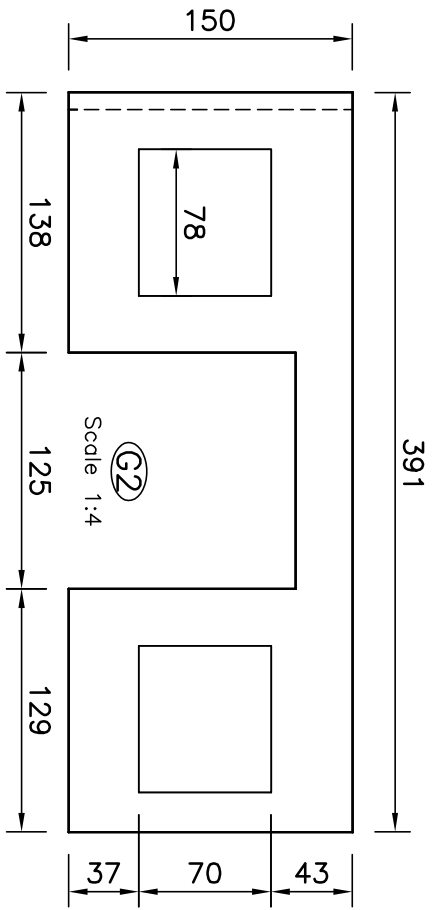
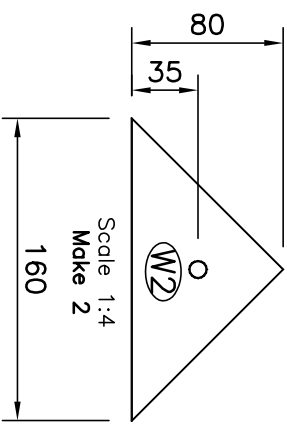
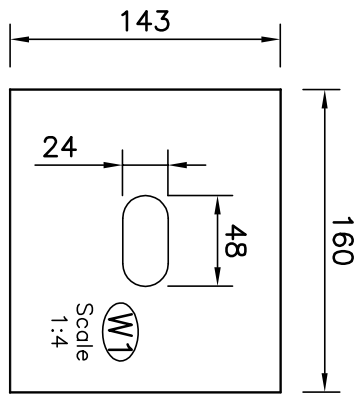
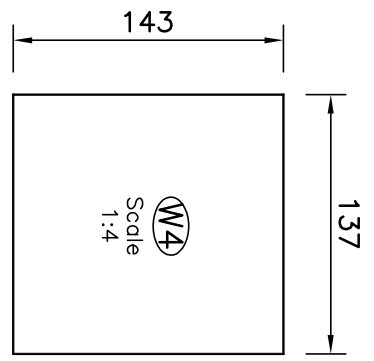
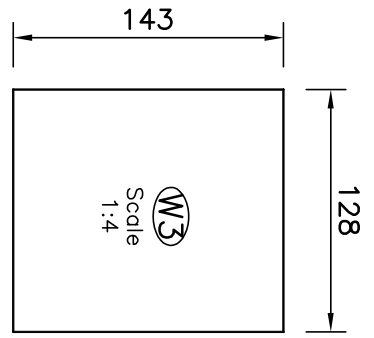
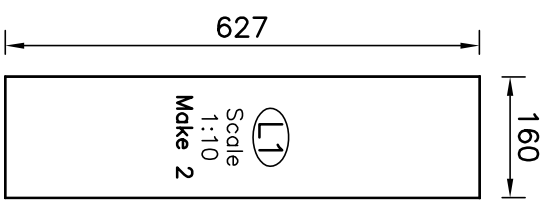
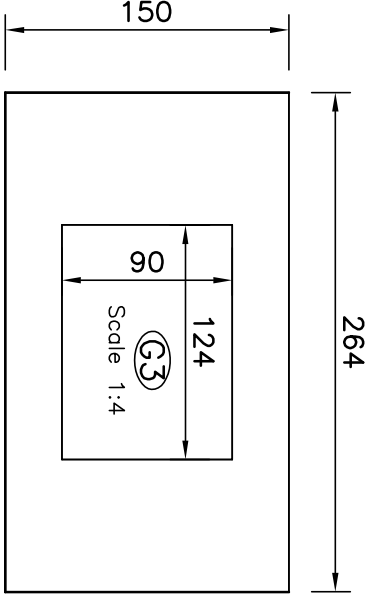
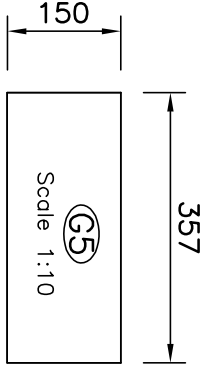
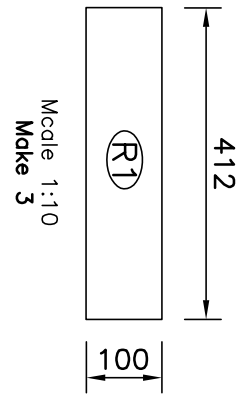
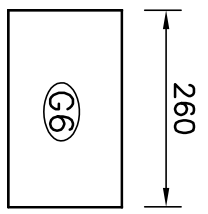
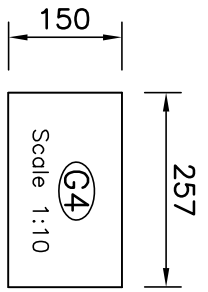
Sheet
2 of 6

Dimensions in millimeters



Section A

Scale 1:4

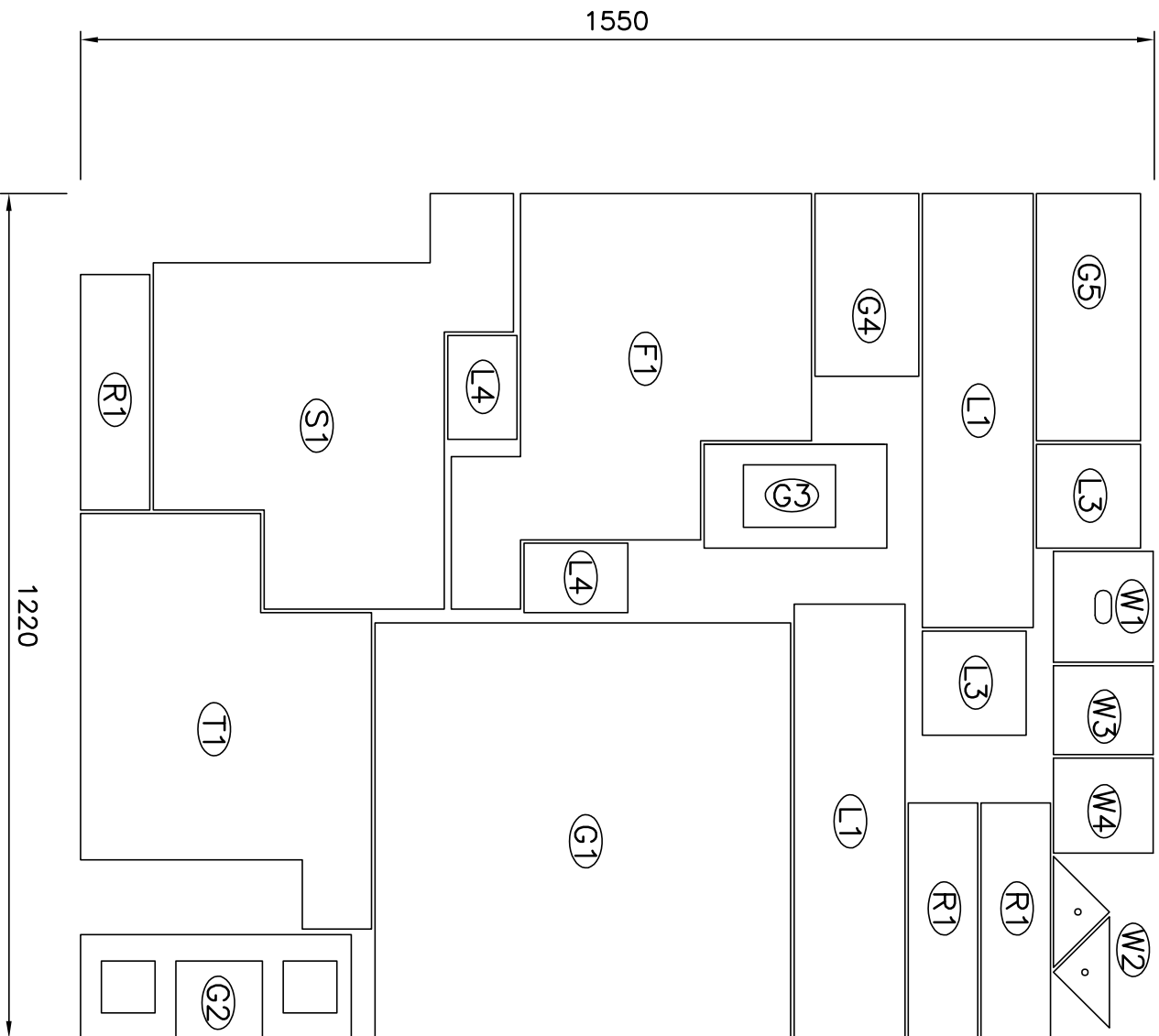


Parts List

Toy Car Garage

wooden-toy-plans.com

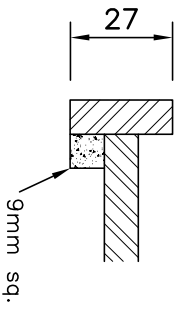
Sheet 4 of 6



Parts List

G2	391	x	150
G3	264	x	150
G4	257	x	150
G5	357	x	150
G6	260	x	150
L1	627	x	160
L2	486	x	125
L3	150	x	150
L4	150	x	100
R1	412	x	100
W1	160	x	143
W2	160	x	80
W3	143	x	128
W4	143	x	137

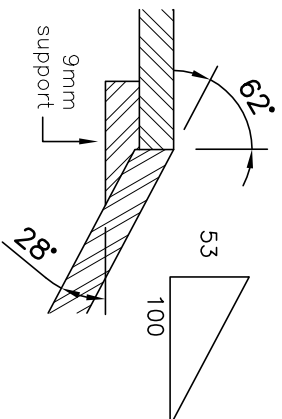
Dimensions in millimeters



Detail 01

Scale 1:2

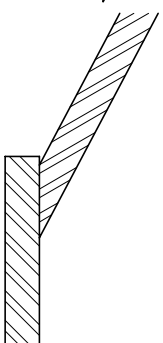
Barrier along the edge



Detail 02

Scale 1:2

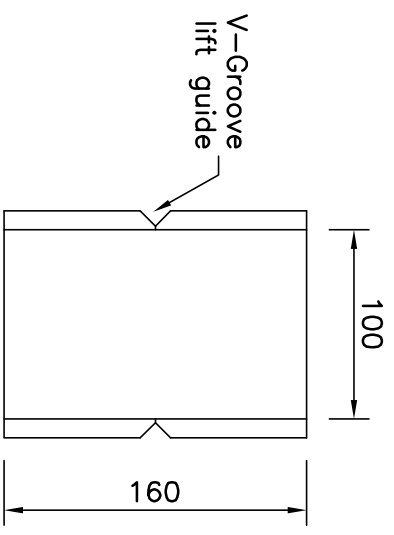
Joint at top of ramp



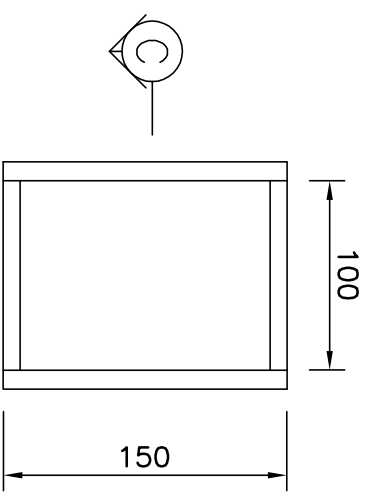
Detail 03

Scale 1:2

Joint at bottom of ramp



Section C



North Elevation

Scale 1:4

Lift Detail